

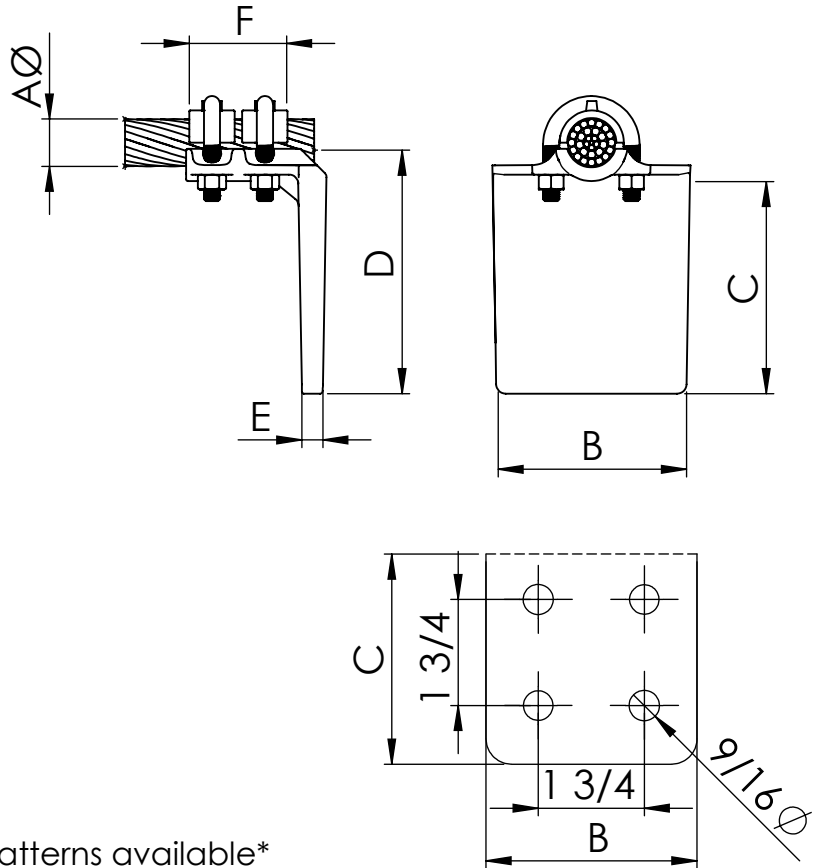


REFERENCE
LCP

90° connector for union copper cable to copper flatbar.

Material: Casting - Bronze

Hardware: Stainless or Galvanized Steel



Note: *other flat dimensions & hole patterns available*

CATALOG NUMBER	CONDUCTOR RANGE	DIMENSIONS						Tightening torque (ft.lb)
		A	B	C	D	E	F	
LCP-703N	0.35-0.41	3	3	3.74	0.28	1.85	300	15
LCP-704N	0.35-0.41	4	4	4.13	0.28	1.85	300	15
LCP-1503N	0.49-0.61	3	3	4.72	0.31	1.85	400	15
LCP-1504N	0.49-0.61	4	4	5.12	0.31	1.85	400	15
LCP-4003N	0.89-1.02	3	3	4.72	0.39	2.17	800	15
LCP-4004N	0.89-1.02	4	4	5.12	0.39	2.17	800	15
LCP-5003N	1.14	3	3	5.24	0.39	2.44	1250	20
LCP-5004N	1.14	4	4	5.63	0.39	2.44	1250	20