

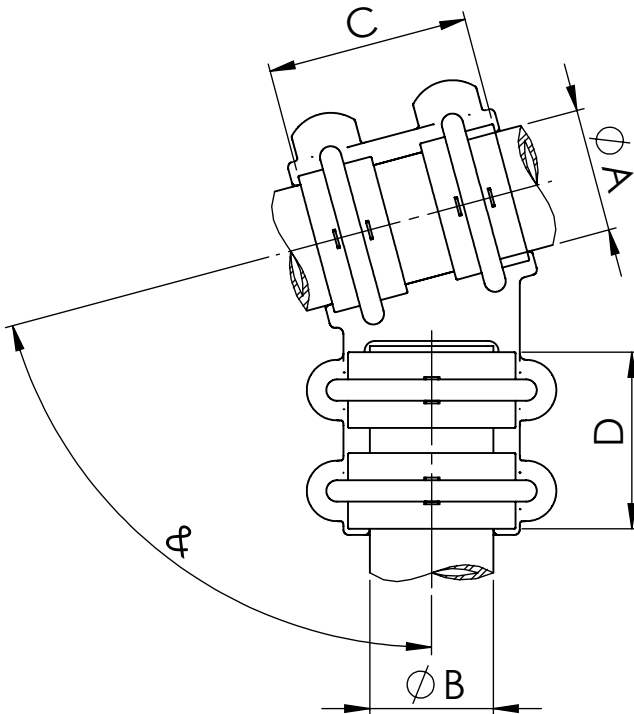


REFERENCE
DBB&

Angle connector for copper tube to copper tube.

Material: Casting - Bronze

Hardware: Stainless or Galvanized Steel



Specify angles

CATALOG NUMBER	CONDUCTOR SIZE		DIMENSIONS		Tightening torque (ft.lb)	
	A	B	C	D	A	B
DBB&-3333	1	1	62	62	20	20
DBB&-4233	1 1/4	1	67	62	20	20
DBB&-4242	1 1/4	1 1/4	67	67	20	20
DBB&-4833	1 1/2	1	75	62	20	20
DBB&-6033	2	1	80	62	20	20